

DISCOVER A TURN FOR THE BETTER

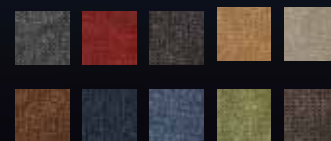
# HELIX



**Innovative. Reliable. Versatile.**

The Harmar Helix Curved Stair Lift handles everything from spirals to sharp angles, with right or left turns. Mounts inside or outside the stairway to maintain pedestrian access.

- Fits Virtually Any Staircase
- Outdoor Model Available
- Narrow Profile and Space-Saving Parking
- Extremely Smooth Ride
- Mounts Inside or Outside Curves
- Simple, Time-efficient Installation
- Wide Range of Colors and Fabrics



**Custom Solutions Fit Building Aesthetics**

Choose from a wide selection of seat colors and pad coverings for a customized application, inside or outdoors. Whether synthetic, velour, or leather, all fabrics are designed to be durable, easy to clean and flame-resistant.



*Emergency Stop Button*



*Rider Safety Belt*



*Simple Hand Control*



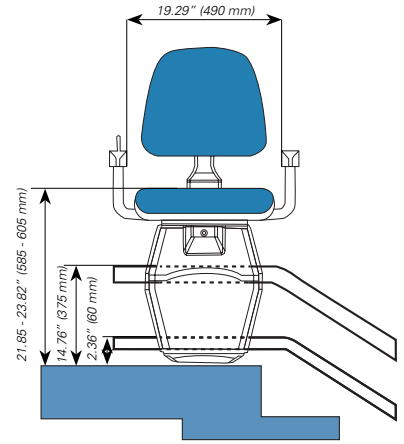
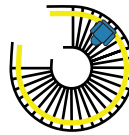
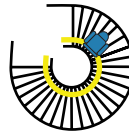
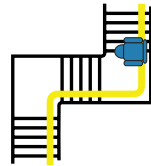
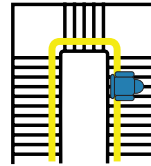
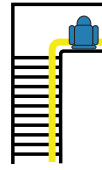
*Infinite Turn Possibilities*



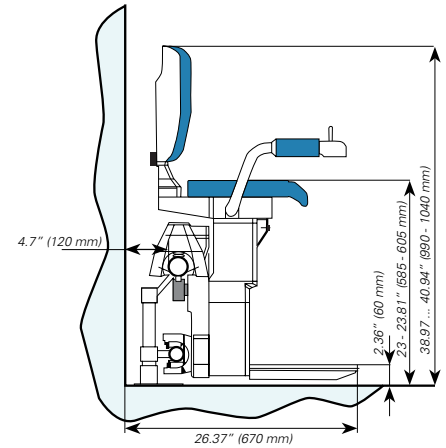
# Stair Lift Features

General Specifications	Curved
Motor Output Amps at Rated Load:	20 A
Overspeed Governor:	Yes
Track (rail) Type:	Steel, Powder Coated
Travel:	16' Standard; 120' Maximum
Average Number of Return Trips per Charge: (varies with load, length)	10
Control in Armrest: (left or right hand operation)	Yes
Lift Mounts to Steps or Wall:	Steps
Minimum Folded Width:	15" (380 mm)
Minimum Footrest Height:	2 3/8" (60.1 mm)
Minimum Swivel Length: (check knees)	30" (800 mm)
Clear Distance Between Armrests:	19 3/4" (500 mm)
Floor to Seat Height—Low / High:	23 1/8" - 24" (585-605 mm)
Minimum Wall to Stair Side of Rail:	6 5/16" (160 mm)
Seat Depth:	15 3/4" (400 mm)
Backrest Height From Top of Seat:	17 - 19 1/3" (430 - 490 mm)
Maximum Weight Capacity:	330 lbs. (150 kg.)
Electrical Requirements:	115V - 240V AC
Operation Power:	24 VDC Battery
Speed:	20 ft. / min.
Incline Limits:	75°
Drive System:	Rack & Pinion Gear
Warranty:	2-Year on Parts; 1-Year on Batteries
Safety Devices:	Safety Edges, Overspeed Governor Emergency Stop

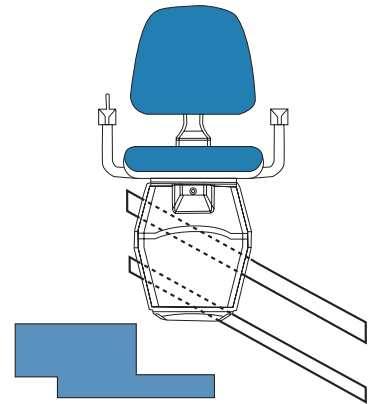
Versatile rail options handle spiral to narrow turns... even steep stairs up to 75° gradient.



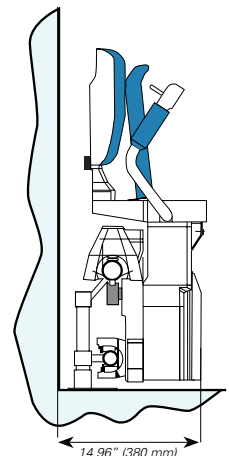
Standard horizontal finished parking position



Dimensions of stair lift in unfolded park position



Inclined finished position with optional swivel seat



The stair lift can be folded away to only 15" (380 mm)

Harmar stair lifts are designed to meet ANSI/ASME A18.1 Performance Safety Standards when properly equipped. While Harmar stair lifts meet national standards, it is imperative to check State and Local code requirements before installing to ensure compliance. Harmar stair lifts should only be installed by a certified, professional Harmar installer. An angle beyond 45 degrees may require a variance to meet ASME A18.1 code.

