



Durably constructed with  
high capacity

Constant-charge battery system so  
it's always ready to go

Quick installation with onboard  
troubleshooting system

# Savaria™ SL-1000 Stairlift

CONQUER YOUR STAIRS



If you want the freedom of mobility in your home and find stairs difficult or impossible to manage, the Savaria SL-1000 stairlift could be the ideal solution for you. Glide up and down in comfort and safety using the onboard controls or with the help of remote control operation. The constant-charge battery operation means that your stairlift works even through a power failure giving you peace of mind.

 savaria™

# Savaria™ SL-1000 Stairlift

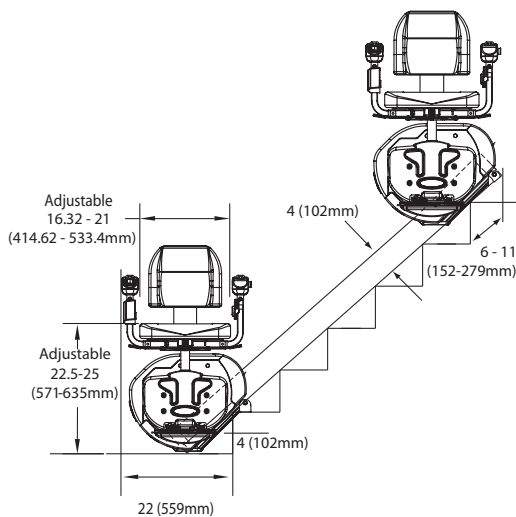
## CONQUER YOUR STAIRS



- Constant-charge battery operation that charges along the rail to ensure that the stairlift is always charged and ready to go, even if there's a power failure (several cycles of up/down)
- Comfort foam seat and back rest with wipe-clean synthetic leather
- Adjustable arm width (up to 21"/533 mm wide) and capacity up to 350 lbs
- On-board controls with soft start and smooth stop operation
- Seat swivels and locks into position for safe on and off seating, retractable seat belt
- Infrared (wireless) remote control included
- Anti-skid, fold-up foot rest with safety edges to stop in case of obstruction
- Folds up to less than 14"(35 cm) to allow easy access to the stairs when unit is not in use
- Reliable rack and pinion drive with sturdy, aluminum extrusion rail construction
- Unit can be mounted on either side of stairs determined at time of installation
- Obstruction sensors to stop the chair if it meets an object while it travels up or down
- Fast installation and onboard diagnostics to identify any service issues
- Optional: emergency stop button and overspeed brake

## SPECIFICATIONS

### ELEVATION VIEW



Applications	Residential, commercial*, indoor, straight-run stairs
Capacity	350 lbs/158 kg
Maximum travel distance	32' (9.75 m)
Nominal Speed	20 ft/minute, (0.10 m/s)
Drive	Rack and pinion
Motor	1/2 hp, 24V (DC) power that charges on standard household power
Fold-up width	13 3/4", 35 cm
Fold-out width	24 1/4", 61.6 cm
Range of incline	25° to 55°
Warranty	36 months parts, ask dealer for details

\* commercial use varies by region, consult your authorized Savaria dealer for details

**Talk to a skilled Savaria dealer about how the Savaria SL-1000 stairlift can give you the mobility you need in your home without major construction.** Your local dealer can ensure your Savaria product is installed to comply with local and national codes.

Authorized Savaria Dealer:

 **savaria™**

[www.savaria.com](http://www.savaria.com)

107 Alfred Kuehne Boulevard, Brampton, ON L6T 4K3 Canada

tel: 800.661.5112 fax: 905.791.2222